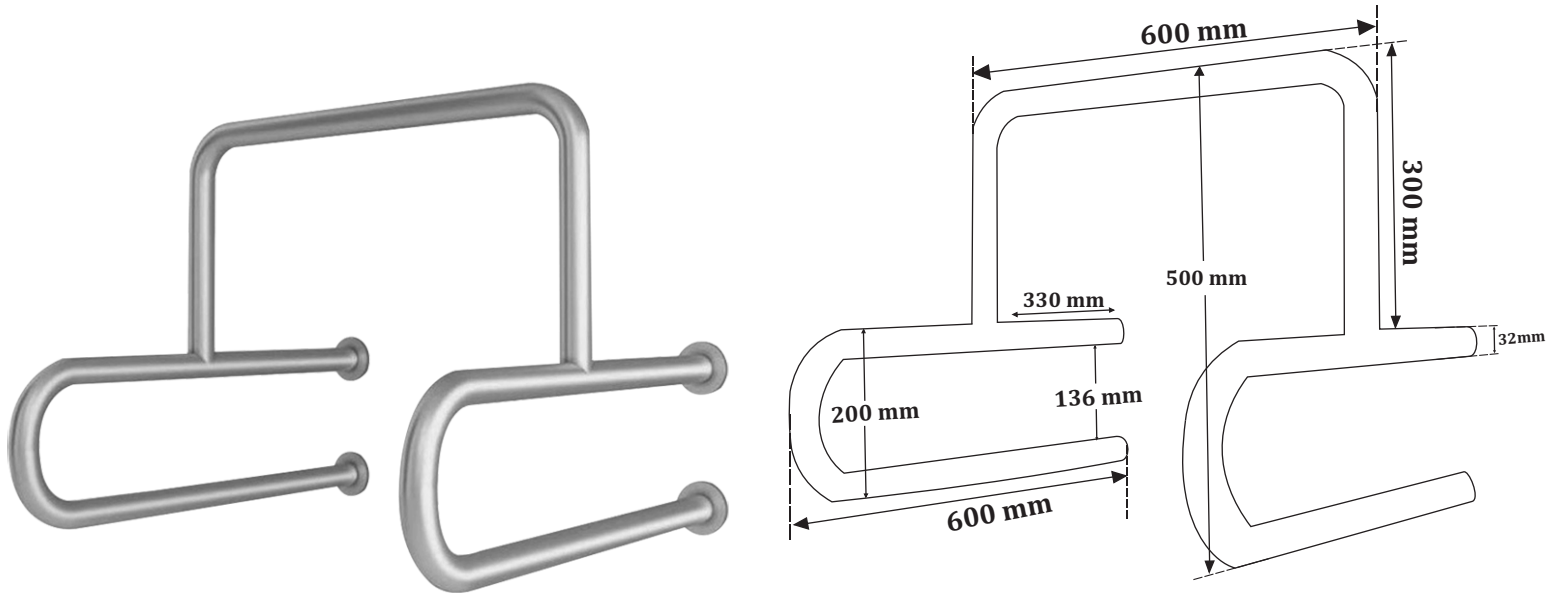




Urinal Safety Steel Grab Bar for Handicap People

Model No.: SIGB 05



SPECIFICATIONS

Material	SS-304 Grade
Dimensions	600 x 32 mm
Application	Urinal Area
Size	600 mm
Fixing	Drill & Fix with Screw

- Self-adhesive PU Tactile Tile
- ADA Braille Signage & Tactile Map
- Fire & Safety Signage
- Accessible Products
- Parking & Warehouse Products
- Road Safety Products

EXCLUSIVE RANGE !!

BEST PRICE! GUARANTEED!

Get a free quote today.

www.signxpressindia.com

All measurements are in mm.

Visit www.signxpressindia.com for a full range of Signxpress India inspire products.